



Twin Casement Window

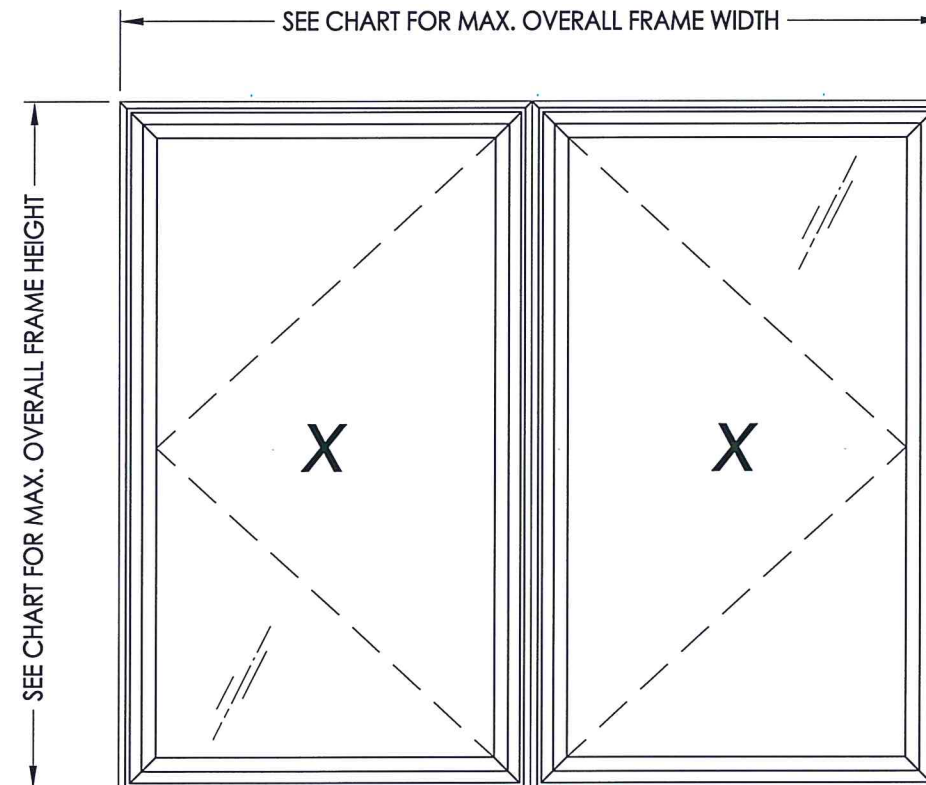
"NON-IMPACT"

EVALUATED FOR USE IN THE STATE OF TEXAS

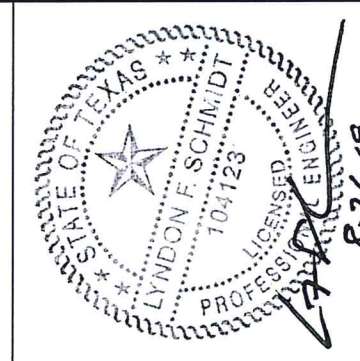
The Casement Window described herein complies with the 2006 International Residential Code (IRC), Sections R301 & R613 and the 2006 International Building Code (IBC), Sections 1405.12, 1609, 1714.5, 2403 and 2404 (including Texas revisions) subject to the following conditions:

1. Anchors shall be as listed and spaced as shown in the details. Anchor embedment to base material shall be beyond wall dressing or stucco.
2. When used in areas requiring wind-borne debris protection this product is required to be protected with an impact resistant covering that complies with Section R301.2.1.2 of the IRC and Section 1609.1.2 of the IBC.
3. Allowable design pressure requirements must be equal to or less than the design pressure rating shown in the design pressure chart, sheet 1 of this drawing.
4. Conditions not covered by this drawing are subject to further engineering analysis.

TABLE OF CONTENTS	
SHEET #	DESCRIPTION
1	Typical Elevations, Design Pressures & General Notes
2	Frame Anchoring & Cross Sections
3	Bill of Materials, Components & Glazing Details



OVERALL FRAME DIMENSION	OVERALL DAY LIGHT DIMENSION	GLASS TYPE	DESIGN PRESSURE (PSF)	
			POS.	NEG.
72.0" X 60.0"	29.75" X 53.5"	G1	+40.0	-40.0



Documents Prepared By: Lyndon F. Schmidt, P.E.
TEXAS P.E. #104123

RW BUILDING CONSULTANTS, INC.
P.O. Box 230 Valrico FL 33595
Phone No.: 813.659.9197

TEXAS BOARD OF PROFESSIONAL ENGINEERS
CERTIFICATE OF REGISTRATION # F-11852

PRODUCT: CASEMENT WINDOW

PART OR ASSEMBLY: TYPICAL ELEVATION, DESIGN PRESSURES & GENERAL NOTES

NO.	DATE	BY	REVISIONS

DATE: 5/13/19

SCALE: N.T.S.

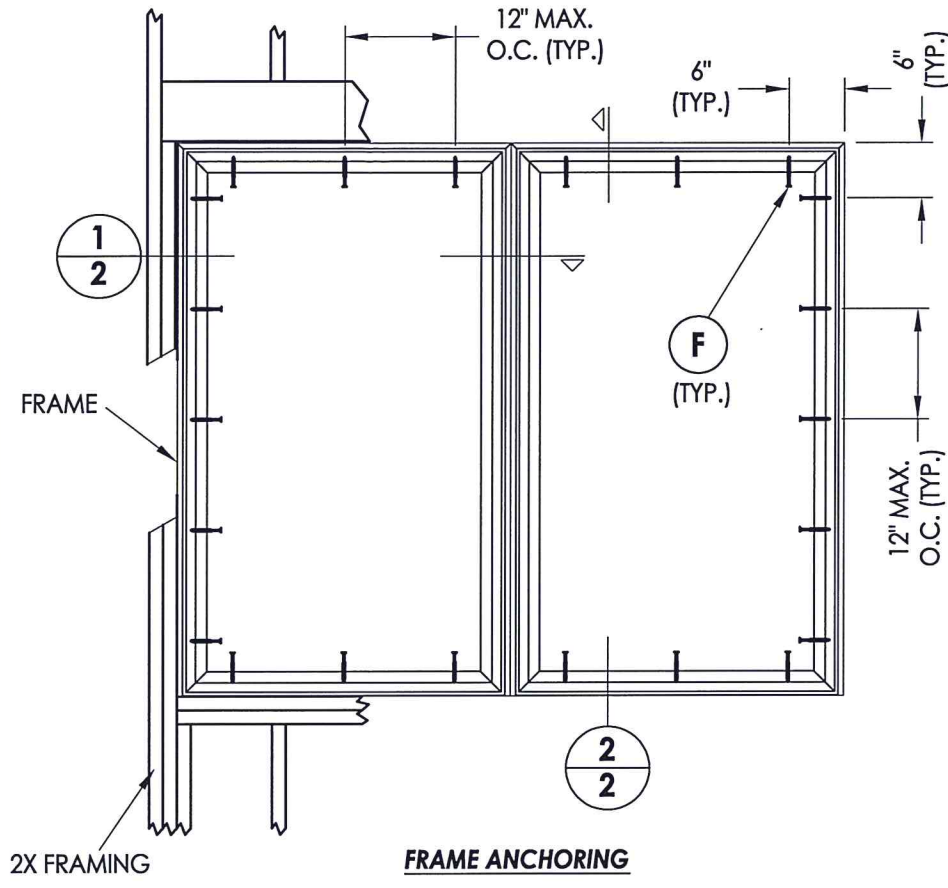
DWG. BY: TRJ

CHK. BY: LFS

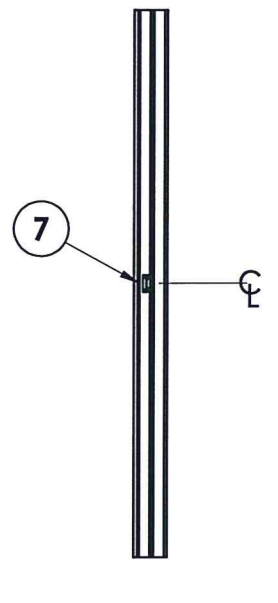
DRAWING NO.: TX-4873

SHEET 1 OF 3

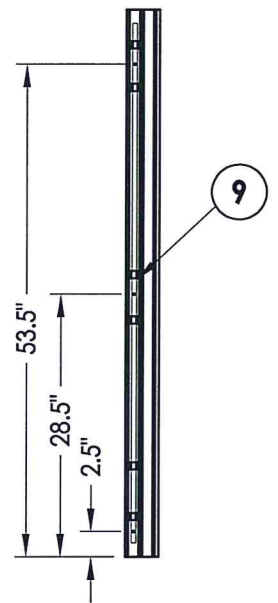
R:\Clients\Sunrise Windows\B - Texas Dept of Ins\TDI - ID 7868 - 7010 C2 Casement Window\C - Drawings\TX-4872-74.dwg, 3.2



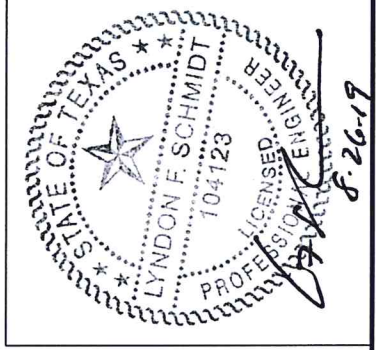
FRAME ANCHORING



HINGE JAMB
Snubber location



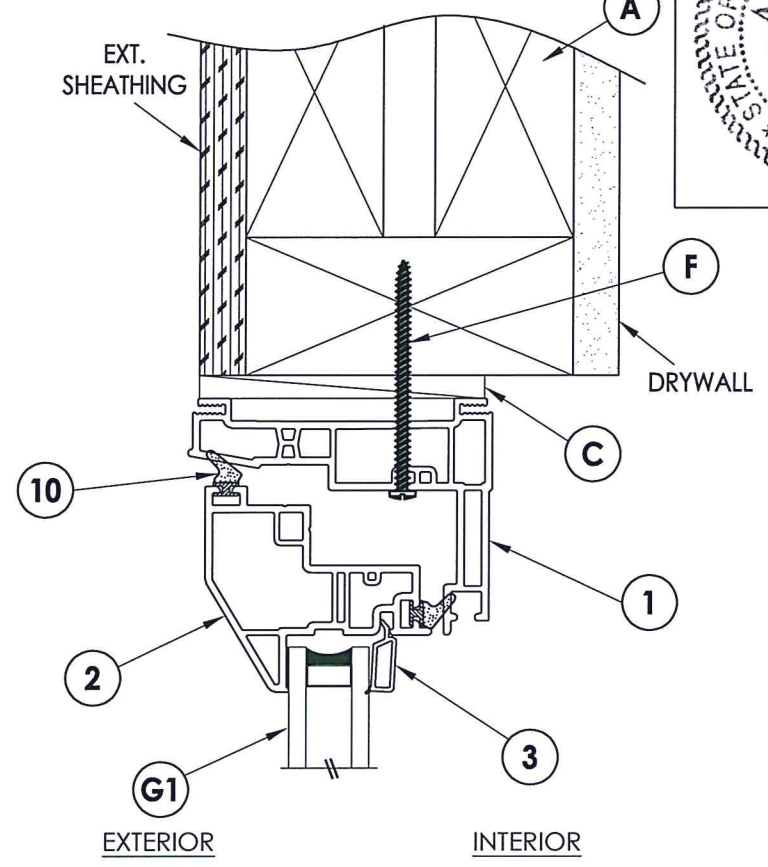
LOCK JAMB
Lock w/ Keeper locations



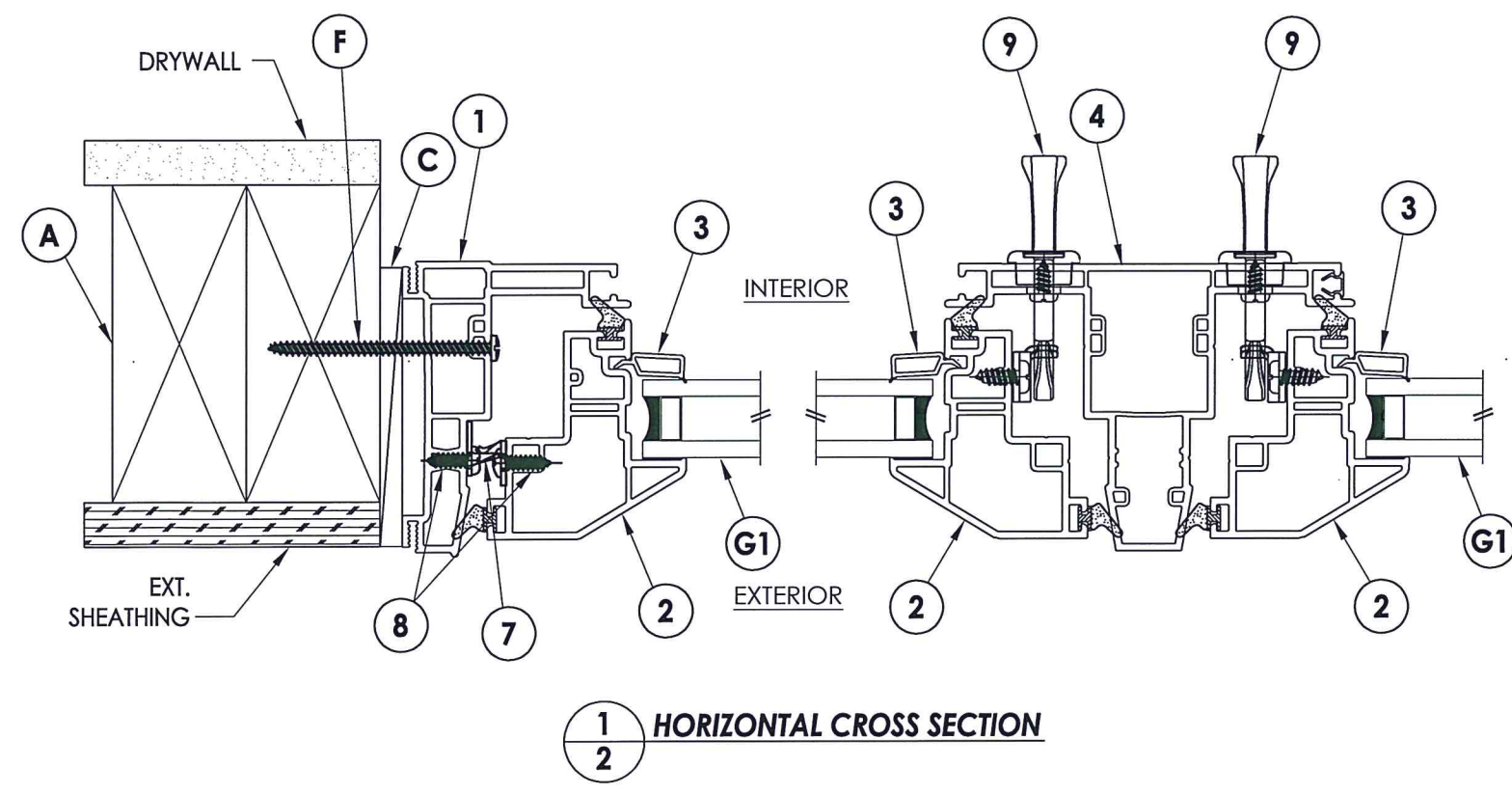
Documents Prepared By: Lyndon F. Schmidt, P.E.
TEXAS P.E. #104123

RW BUILDING CONSULTANTS, INC.
P.O. Box 230 Valrico FL 33595
Phone No.: 813.659.9197

TEXAS BOARD OF PROFESSIONAL ENGINEERS
CERTIFICATE OF REGISTRATION # F-11852



VERTICAL CROSS SECTION



HORIZONTAL CROSS SECTION

PRODUCT: CASEMENT WINDOW

PART OR ASSEMBLY: FRAME ANCHORING & CROSS SECTIONS

NO.	DATE	BY

DATE: 5/13/19
SCALE: N.T.S.
DWG. BY: TRJ
CHK. BY: LFS
DRAWING NO.: TX-4873
SHEET 2 OF 3

BILL OF MATERIALS

ITEM #	DESCRIPTION	MATERIAL
A	2X FRAMING (SG >= 0.42)	WOOD
C	1/4" MAX. SHIM SPACE	-
F	#8 X 2-1/2" PPH SMS (1-3/8" MIN. EMBEDMENT)	STEEL
1	EXTRUDED VINYL FRAME (795A)*	RIGID PVC
2	EXTRUDED VINYL SASH (996)*	RIGID PVC
3	EXTRUDED VINYL GLAZING BEAD (736A)*	RIGID PVC
4	EXTRUDED VINYL T-MULLION (757)*	RIGID PVC
5	EXTRUDED VINYL NAIL-FIN ADAPTER (929)*	RIGID PVC
7	SNUBBER	STEEL
8	#9 X 9/16" PPH SMS	STEEL
9	LOCK ASSEMBLY	STEEL
10	FOAMTITE SEAL	-
11	SINGLE ARM OPERATOR	-

* THE APPROVED WHITE RIGID PVC EXTERIOR EXTRUSIONS FOR WINDOWS ARE TO BE PRODUCED BY EXTRUDERS LICENSEES IN "AAMA CERTIFICATION PROGRAMS FOR RIGID PVC EXTRUSIONS".



Documents Prepared By: Lyndon F. Schmidt, P.E.
TEXAS P.E. #104123

R.W. BUILDING CONSULTANTS, INC.
P.O. Box 230 Vairico FL. 33595
Phone No.: 813.659.9197

TEXAS BOARD OF PROFESSIONAL ENGINEERS
CERTIFICATE OF REGISTRATION # F-11852

PRODUCT: CASEMENT WINDOW

PART OR ASSEMBLY: BILL OF MATERIALS, COMPONENTS & GLAZING DETAILS

NO.	DATE	BY	REVISIONS

DATE: 5/13/19
SCALE: N.T.S.
DWG. BY: TRJ
CHK. BY: LFS
DRAWING NO.: TX-4873
SHEET 3 OF 3

